

# Sauer Compressors



**NAVAL MARINE**

**Dependable up to 500 bar – anywhere, anytime, anygas.**

## Sauer Compressors for the Naval Marine

- High-Pressure Compressors
- Medium-Pressure Compressors
- Low-Pressure Compressors
- Non-magnetic Compressors

Sauer Compressors for the Naval Marine are developed on the basis of the philosophy that for the maritime market and especially for the navy market special demands exist. This is the reason that maritime or navy users require different solutions compared to industrial applications.



As a result Sauer Navy compressors were developed especially for use on submarines and naval combat ships. This development was based upon established expertise in the production of navy compressors as well as long experience in the production of commercial compressors.

The main requirements of development are:

- small space requirements
- light weight
- reduction of noise and vibration
- high shock resistance
- high reliability
- long maintenance intervals
- easy service

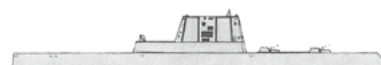


Sauer Compressors for the Naval Marine are the answer to these requirements as they incorporate all special features which are vital for naval applications. Constant innovation, such as the development of the 5000 range with 100 % balanced free inertial forces, ensures the technical leadership necessary for future naval applications.

**UPON REQUEST SAUER CAN PROVIDE YOU A FULL REFERENCE LIST**



More than 18 Aircraft Carriers, e.g. the **USS Dwight D. Eisenhower** equipped with 4 x WP 5000



More than 115 Destroyers and Frigates, e.g. the **USS Zumwalt** equipped with 3 x Hurricane WP 4341 and 2 x Mistral WP 65L



More than 200 submarines, e.g. **Astute Class** of the Royal British Navy equipped with 2 x WP 5000 and 1 x WP 3232



# Naval Know-How for the World Market

Sauer Compressors can look back on a more than 130-years-old history and more than 60 years of experience in developing and manufacturing special compressors for the navies.

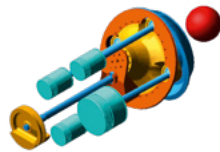
Starting as supplier to the German Navy, Sauer quickly gained a world-wide reputation as a reliable manufacturer of navy compressors. Today more than 55 Navies rely on Sauer compressors.

The reasons for this success are:

- reliability of the compressors
- knowledge of the special naval demands
- credibility of the company

The Sauer compressor product range for naval applications is based on 3 different design principles:

- Sauer WP-Design
- ELGI-Sauer EK-Design
- Girodin-Sauer TGM-Design with swash plate technology



## OUR RANGE

4-stage water-cooled high-pressure compressors up to 400 barg



page 4/5

2- to 4-stage air-cooled high-pressure compressors up to 400 barg



page 6/7

Breathing-air compressors air-cooled up to 420 barg



page 8/9

Control- and working-air compressors up to 10 barg



page 10

Accessories for high, medium and low pressure

//// *Accessories*

page 11



More than 730 Corvettes and Fast Attack Crafts, e.g. the Brazilian **Inhauma** equipped with 2 x WP4262



More than 220 Miscellaneous Vessels, e.g. the Royal British Navy **Wave Knight** with 2 x Typhoon WP200 and 2 x Hurricane WP4330



More than 140 MCMV, e.g. the German **MJ 332** equipped with 2 x WP3232-600

## Sauer High-Pressure Compressors – water-cooled up to 400 bar

The Sauer Navy compressors of the **5000 series** have been specially designed for the use on combat ships, destroyers, frigates or submarines. They are available with AC- or DC-motor and can be delivered for surface ships or special highly sophisticated submarine versions. Their special feature is the vertical crankshaft with the 4 cylinders radially arranged around it with the motor direct coupled on top of the compressors.

As an alternative for submarine applications, Sauer offers the unique axial swash type compressor of the TGM design with low space requirement and lowest structure-borne noise emission.

The EK2 – designed, qualified and manufactured by ELGI-Sauer based on a russian design – offers water-cooled high-pressure compressor technology at smallest space and weight and is especially suited for small vessel.

### Technical Data

#### Water-cooled compressors ■ radial/star type ■ WP 5000/5500

Type	Stages	Cylinder	Speed rpm	Charging Capacity m <sup>3</sup> /h (FAD)	Power required kW	Weight kg	Length mm	Width mm	Height mm	Frequency Hz
<b>WP 5500</b> @ 250 barg	4	4	1,170	56	17.2	930	970	810	1,325	60
			1,470	68	21.6					50
			1,770	82	26.0					60
<b>WP 5000</b> @ 250 barg	4	4	1,170	115	34.4	1,650	1,215	1,095	1,570	50
			1,470	145	43.2					60
			1,770	175	52.0					50
<b>WP 5000</b> @ 400 barg	4	4	1,170	120	43.0	1,650	1,215	1,095	1,700	50
			1,470	150	53.0					60
			1,770	180	62.0					50

#### Water-cooled compressors ■ vertical single piston ■ EK type

Type	Stages	Cylinder	Speed rpm	Charging Capacity m <sup>3</sup> /h (FAD)	Power required kW	Weight kg	Length mm	Width mm	Height mm	Frequency Hz
<b>EK2 A2</b> @ 150 barg	3	1	870	14.2	6.1	370	1,150	640	715	60
			970	16.2	7.1					50
<b>EK2 A2</b> @ 200 barg	3	1	870	14	6.3	370	1,150	640	715	60
			970	16	7.3					50

#### Water-cooled compressors series ■ vertical/in-line type ■ WP 3230–4262

Type	Stages	Cylinder	Speed rpm	Charging Capacity m <sup>3</sup> /h (FAD)	Power required kW	Weight kg	Length mm	Width mm	Height mm	Frequency Hz
<b>WP 3230–500</b> @ 230 barg	3	2	970	25	8.0	650	1,400	750	1,180	50
			1,170	30	10.0					60
<b>WP 4253/4254</b> @ 250 barg	4	2	750	80	29.0	1,700	1,700	770	1,280	50/60
<b>WP 4261/4262</b> @ 250 barg	4	2	750	80	29.0	1,700	1,700	770	1,280	50/60
			1,200	130	48.0	1,800	1,750	770	1,280	50/60
<b>WP 4261/4262</b> @ 350 barg	4	2	800	80	33.0	1,700	1,700	770	1,280	50/60
			1,200	130	56.0	1,800	1,750	770	1,280	50/60

#### Water-cooled & axial swash plate type compressors TGM (Girodin-Sauer)

Type	Stages	Cylinder	Speed rpm	Charging Capacity m <sup>3</sup> /h (FAD)	Power required kW	Weight kg	Length mm	Width mm	Height mm	Frequency Hz
<b>TGM 15/20</b> @ 250 barg	4	4	1,070	15	6.5	360	1,000	650	780	50/60
<b>TGM 15/30</b> @ 250 barg	4	4	1,350	23	7.0	360	1,000	650	780	50/60
<b>TGM 60</b> @ 250 barg	4	4	620	60	20.0	1,100	1,135	940	1,300	50/60
			850	80	28.0					
<b>TGM 100</b> @ 250 barg	4	4	1,050	100	37.0	1,100	1,135	940	1,300	50/60
<b>TGM 2 x 100</b> @ 250 barg	4	2 x 4	1,050	200	75.0	3,600	1,200	1,700	1,400	50/60

**WP 5000 with AC motor and IMD (integrated membrane dryers)**

Special suction and delivery dampers available for lowest air borne and pipe noise.

Vertical arrangement of the crankshaft with cylinders radial round it ensures lowest vibration and structure borne noise values.

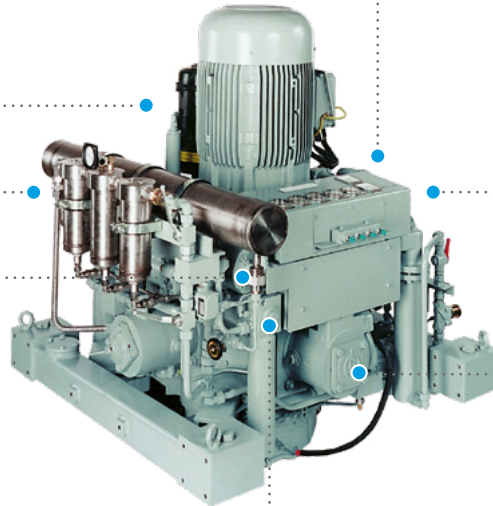


If requested the compressor can be equipped with a low maintenance Interstage Membrane Dehydrator (IMD) or traditional desiccant dryer in a module.

Material selection for cooling water circuit suitable for most aggressive seawater conditions. Avoidance of dissimilar material combination in all parts of the circuit.



Straight cooler tubes, drawable to both sides of the cooler for easy cleaning and installation. The floating design prevent heat stress in the bundle and consequential damages.



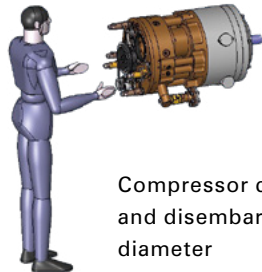
Dry cylinder liners and hermetic separation of the water circuits from the oil – and air circuits for highest reliability.



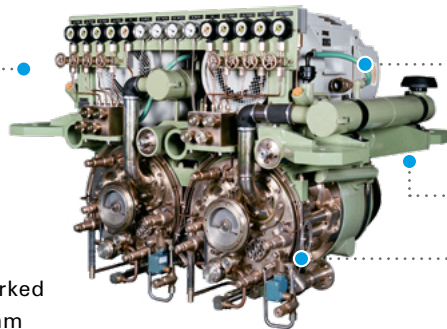
High-efficient separators after each cooler for best air quality. Oil content in the high-pressure air of less than 3 ppm.

**TGM 60 – double unit as installed in French Scorpène Class Submarines**

All maintenance and operation can be performed from one side.



Compressor can easily be embarked and disembarked through 800 mm diameter



Electrical Motor

Base frame with mounting on centre of gravity level

Compressor in swash plate design

**EK 2 compressor with 3 stages in one cylinder**



Compact water-cooled high-pressure compressor

## Sauer High-Pressure Compressors – air-cooled up to 400 bar

In the year 1955 Sauer delivered the first air-cooled light weight high-pressure compressor WP 3231 N, which can still be seen in the German Museum in Munich as first of its kind. Since then Sauer has delivered more than 1000 air-cooled HP compressors for navy applications which due to their special design, work to full satisfaction of the users.

Main features of air-cooled Sauer high-pressure compressors are:

- Light weight
- Robust design
- Low and easy maintenance
- Maximum pressure 400 barg
- To be delivered in non-magnetic version upon request
- Suitable for breathing air supply
- Driven by AC-, DC- or diesel engine
- Available in semi- or non-magnetic design
- Suitable for ambient temperatures up to +60°C

### Technical Data

#### Air-cooled compressors

Final pressure 40 barg										
Type	Stages	Cylinder	Speed rpm	Charging Capacity m <sup>3</sup> /h	Power required kW	Weight kg	Length mm	Width mm	Height mm	Frequency Hz
Mistral WP 22L	2	2	1,150	15.9	3.7	120	812	600	630	60
			1,450	20.0	4.6					50
			1,750	24.0	5.7					60
Mistral WP 45L	2	2	1,170	38.0	8.0	310	1,210	745	820	60
			1,450	48.0	10.0					50
			1,750	58.0	12.0					60
Mistral WP 65L	2	2	1,170	52.0	10.2	320	1,250	745	820	60
			1,450	66.0	12.8					50
			1,750	80.0	15.4					60
Passat WP 81L	3	3	1,170	63.0	13.7	415	1,345	945	900	60
			1,470	79.0	15.8					50
			1,770	96.0	18.9					60

Final pressure 250 barg (data for higher pressures upon request)										
Type	Stages	Cylinder	Speed rpm	Charging Capacity m <sup>3</sup> /h	Power required kW	Weight kg	Length mm	Width mm	Height mm	Frequency Hz
WP 3232	3	3	1,170	11.0	5.3	291	920	710	970	60
			1,470	14.2	6.8					50
Hurricane WP 4331	4	4	1,470	30.0	14.2	480	1,350	720	930	50
			1,770	36.0	17.2					60
Hurricane WP 4341	4	4	1,470	54.0	20.5	530	1,350	860	860	50
			1,770	65.0	24.1					60
Hurricane WP 4351	4	4	1,470	100.0	38.0	900	1,700	990	1,080	50
			1,770	120.0	47.0					60

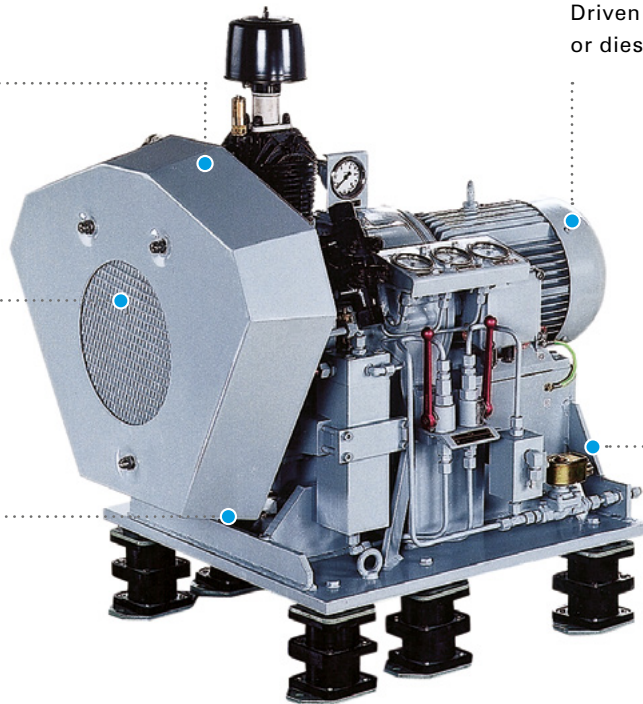
Performance data with 5% tolerance, referred to 20°C and an air pressure of 1,013 mbar. Charging Capacity according to international navy standards. Performance data on final pressure deviating from above pressures upon request. Maximum pressure 350 barg.

## WP 3232 in non-magnetic version for use in MCMV.

Highly efficient compressor valves for longest maintenance intervals. Easy to maintain.

Suitable for ambient temperatures up to 60°C without reduction of performance

Non-magnetic design with less than 20 nt disturbance uncompensated available upon request

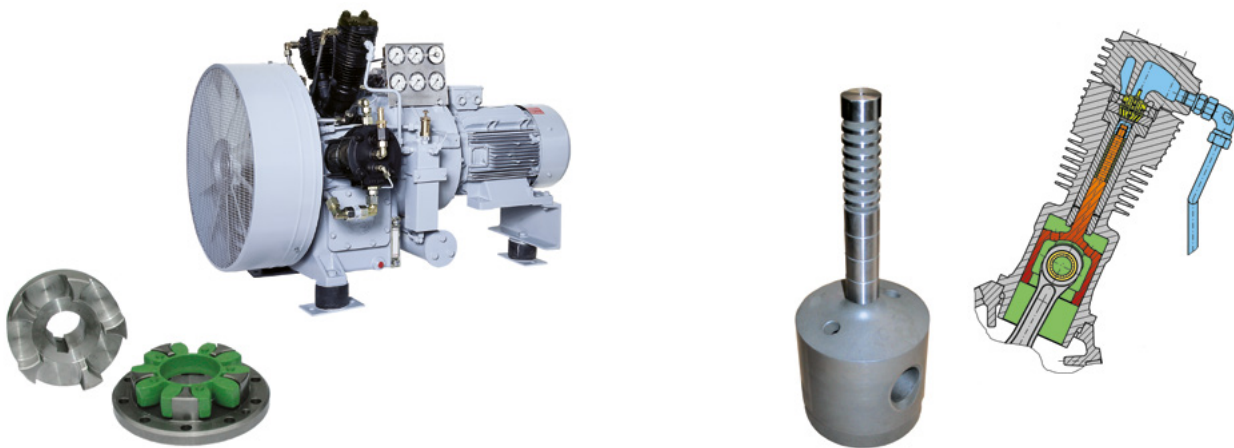


Driven by AC-, DC- or diesel engine.

Sturdy and robust design. Comparably low weight due to air-cooled design.

Shock-proof according to all international navy standards.

## The well-known Sauer quality – some details



All Sauer Compressors are of direct-drive design. Advantages vs. v-belt drive:

- less maintenance
- higher reliability
- higher efficiency
- less noise
- Simple maintenance due to piston and cylinder each made in one piece
- Low blow-by due to use of multiple classic piston rings
- Best clearance between piston and liner for high reliability and high temperatures

## Sauer Breathing-Air Compressors – air-cooled up to 420 bar

Sauers' quality and leading position in the market for Navy compressors with vertical crankshaft of the series are well known. With the introduction of the unique high-pressure compressor block *Tornado* this quality and performance is now also available for breathing air compressors. Sauers' Navy breathing air compressors can be delivered according to several shock and vibration standards from simple LRoS rules to highest Navy standards like US Mil Std 901 or German BV0432 and 044.

The heart of each breathing air station is the robust compressor block – a block which is designed to withstand highest demands as they occur for naval applications such as inclination, shock, vibration and last but not least high temperatures and continuous operation.

The vertical arrangement of the running gear of the *Tornado* types WP 3215 and WP 4325 has been adopted from the water-cooled WP 5000 compressors which are used in submarines, frigates and aircraft carriers. It ensures lowest noise emission and structure-borne noise.

The Sauer breathing air compressor for Navy has everything required for a complete installation: fully automatic electronic control, noise insulation down to 72 db(A), integrated filter, demistor and condensate collecting tank.

Filtration can be delivered according to all international standards such as DIN EN 12021, BS 4275 and BS 4001 or US CGA Grade D+E and Navy standard FS Grade A+B.

### Technical Data

#### TORNADO and HURRICANE series

Final pressure 350 barg (max. 420 barg)										
Type	Stages	Cylinder	Speed rpm	Charging Capacity l/min	Power required kW	Weight kg	Length mm	Width mm	Height mm	Frequency Hz
<b>Tornado</b> <b>WP 4325</b> ComSilent	4	4	1,170	400	8.4	595	1,580	775	1,525	60
			1,470	500	10.0					50
			1,770	600	12.0					60
<b>Hurricane</b> <b>WP 4341</b> ComSilent	4	4	1,170	1,000	15.5	1,280	2,200	1,450	1,750	60
			1,470	1,200	19.0					50
			1,770	1,500	23.0					60
<b>Tornado</b> <b>WP 4325</b> shock-proof	4	4	1,170	400	8.4	580	990	1,180	1,215	60
			1,470	500	10.0					50
			1,770	600	12.0					60
<b>Hurricane</b> <b>WP 4341</b> shock-proof	4	4	1,170	1,000	15.5	780	1,240	1,400	1,400	60
			1,470	1,200	19.0					50
			1,770	1,500	23.0					60



**Tornado WP 4325 ComSilent.**  
Proven Sauer quality ready to use in an complete and silent module.



Breathing air filtration suitable for all international standards.

Integrated demister vessel.

Side covers easy to remove for inspection and maintenance.

Optimized cooling air flow: Compressed air treatment and filtration in cold air stream.



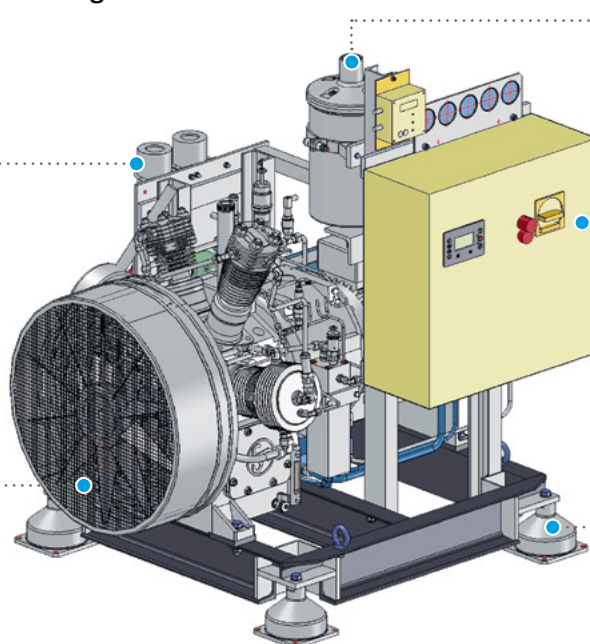
Front door: Easy access to control unit, condensate collecting tank and filter accessories.

Integrated condensate demister and -collecting tank (20 litres).

**Hurricane WP 4341 Shock-Proof.**  
Compact breathing-air unit to meet the requirements of demanding naval specifications.

Breathing-air filtration mounted on the unit as per international standards.

Air cooling up to + 60°C ambient temperature



Integrated demister vessel

Integrated control and starter unit

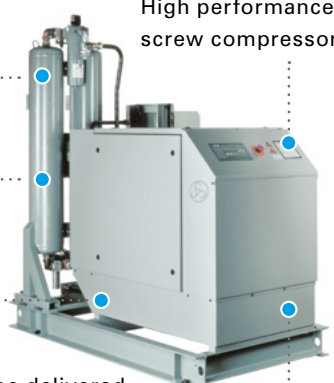
Shock-proof as per all international navy standards

# Sauer Control- and Working-Air Compressors up to 10 bar

For control- and working-air applications Sauer can deliver special screw- and piston compressors in naval design. Sauer low pressure air compressors can be delivered according to several shock and vibration standards from simple LRoS rules to highest Navy standards like US Mil Std 901 or German BV0432 and 044. Cooling is available for both screw- and piston compressors by seawater, fresh- or chilled water as well as by air. If required special air treatment can be included in the scope of supply either to be delivered separately or attached to the compressor in a module.

As an alternative to the screw compressors of the SC range Sauer offers direct driven and frequency controlled screw compressors of the SD range. This alternative offers lower maintenance and higher reliability due to missing V-belts. It also allows smaller air receivers due to soft capacity adaption as per the actual demand. The highly reliable Sauer piston compressors offer same advantages and technology as the well-known 30 barg starting-air compressors.

**Low-pressure compressor station with integrated desiccant dryer. Shock-proof, sea-water cooled version.**



Modules with integrated desiccant dryer and air receiver upon request. ....

Filtration for oilfree air; if required. ....

Cooling by air, chilled-, fresh- or seawater. ....

High performance screw compressor. ....

Sauer screw compressors can be delivered according to all shock standards. ....

## Technical Data

Screw type compressor V-belt driven				Technical Data for a final pressure of 8 barg			Dimensions			
Type	Version	Final pressure max. barg	Motor speed rpm	Charging* Capacity m³/h	Power consumption kW	Heat Dissipation kJ/sec	Weight kg	Length mm	Width mm	Height mm
SC 26	50 Hz	10	2,930	148	16.0	17.6	450	1,270	795	1,070
	60 Hz		3,530	177	19.2	21.1				
SC 42	50 Hz	10	2,960	234	28.6	31.5	580	1,270	795	1,170
	60 Hz		3,550	280	34.3	37.8				
SC 52	50 Hz	10	2,980	278	33.4	36.7	595	1,270	795	1,170
	60 Hz		3,555	334	40.0	44.0				

Piston compressor					Technical Data for a final pressure of 8 barg			Dimensions			
Type	Final pressure max. barg	Stages	Cylinder	Speed rpm	Charging Capacity m³/h	Power consumption kW	Heat Dissipation kJ/sec	Weight kg	Length mm	Width mm	Height mm
Mistral WP 146L air-cooled	10	2	2	1,170	116	17	19	850	1,420	870	880
				1,470	150	21	23	850			
				1,770	175	25	28	850			
Mistral WP 226L air-cooled	10	2	2	1,170	220	30	33	880	1,735	1,030	1,020
				1,470	280	36	40	880			
				1,770	330	42	46	880			
Typhoon WP 200 water-cooled	15	2	2	1,170	144	23	30**	770	1,500	1,000	890
				1,470	177	28	37**	800			
				1,770	214	34	45**	800			

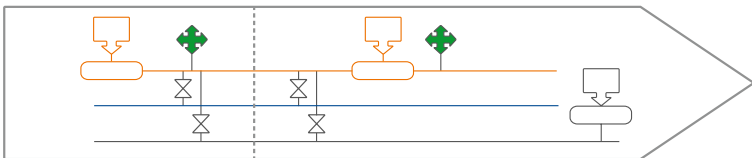
Performance data with 5% tolerance, referred to 20° C and an air pressure of 1,013 mbar. Capacity of screw-type compressors according to DIN-ISO 1945. Weights and dimensions for standard units with three-phase A. C. motor, IP 54, and flexible mounting. Water-cooled screw-type compressors upon request.

\* Larger capacity up to 2,000 m³/h or capacity for other final pressures upon request. | \*\* Cooling water demand for delta Δ t = 10 °C

# Accessories for Central High Pressure Air Systems

The selection of a centralized high pressure air system in your warship will provide lowest lifetime-costs and is a prerequisite for an up-to-date and affordable warship design.

The centralized air-system provides air for all consumers via a ring-main directly or if required through pressure reducing stations. It is versatile and flexible even if in a later stage of the design or operation other consumers requiring air supply will be installed. Space and weight is considerably lower than an alternative “point of use” system which requires dedicated air compressors for each application in a warship. Whilst also initial costs are reduced – the major savings in design and operation will come through the reduced number of compressors installed.



- lowest capital costs
- lowest ILS costs
- lowest maintenance costs

■ **Pressure reducing stations in shock-proof design to generate medium-pressure and low-pressure air from the centralized up ring-main.**

Reduced number of maintenance intensive o-ring sealings



Standard valves and fittings – easy to maintain

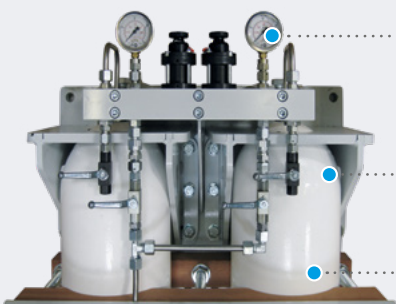
■ **Breathing-air filtration systems as per all international naval standards**



Cartridge housings made of stainless steel

Single or multiple cartridges available

■ **High-pressure bottle racks with multiple standard 50 litre bottles in shock-proof design**



Equipped with pressure gauges, safety valves and drainage

Easy to exchange standard 50 litre bottles

Vertical arrangement for reliable drainage of receiver

■ **Breathing-air filling boxes to protect crew in shock-proof design**

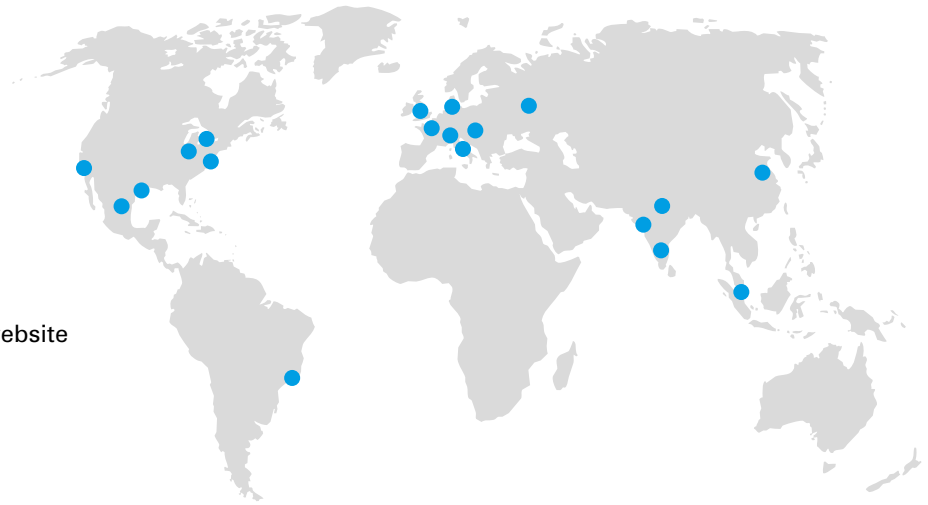


Filling panel for 200 and 300 barg

Approved as NFPA 1901



# Sauer Compressors



Find your local partner at our global website  
[www.sauercompressors.com](http://www.sauercompressors.com)

**J. P. Sauer & Sohn Maschinenbau GmbH**  
Brauner Berg 15  
24159 Kiel  
Germany  
[www.sauercompressors.com](http://www.sauercompressors.com)

**HAUG Sauer Kompressoren AG**  
Industriestrasse 6  
9015 St. Gallen  
Switzerland  
[www.haug.ch](http://www.haug.ch)

**Girodin-Sauer SAS**  
16 Chemin du Bas des Indes  
905240 Corneilles en Parisis  
France  
[www.girodin-sauer.com](http://www.girodin-sauer.com)

**Sauer Compressors UK Ltd.**  
Sauer House  
Lanswood Park, Broomfield Road  
Elmstead Market, Colchester  
Essex CO7 7FD  
United Kingdom  
[www.sauercompressors.co.uk](http://www.sauercompressors.co.uk)

**Sauer Compressori S.r.l.u.**  
Via Santa Vecchia 79  
23868 Valmadrera  
Italy  
[www.sauercompressors.com](http://www.sauercompressors.com)

**Sauer Compressors CIS**  
Bld. 2, office 304  
Naryshkinskaya Lane 5  
125167 Moscow  
Russian Federation  
[www.sauercompressors.com](http://www.sauercompressors.com)

**Sauer Compressors USA Inc.**  
245 Log Canoe Circle  
Stevensville, MD 21666  
USA  
[www.sauerusa.com](http://www.sauerusa.com)

**Sauer Compressors Canada**  
6975 Meadowvale Town Centre Cir #9  
Unit #609  
Mississauga, ON L5N 2V7  
Canada  
[www.sauercanada.ca](http://www.sauercanada.ca)

**Sauer Compressors Mexico**  
Alianza Sur 303  
66628 Apodaca, N.L.  
Mexico  
[www.sauercompressors.mx](http://www.sauercompressors.mx)

**Sauer do Brasil LTDA**  
Rua Montevideu 327, Penha  
Rio de Janeiro 21020 – 290  
Brasil  
[www.sauerbrasil.com.br](http://www.sauerbrasil.com.br)

**ELGI Sauer Compressors Ltd.**  
Elgi Industrial Complex-III  
Trichy Rd, Singanallur  
Coimbatore, Tamil Nadu 641005  
India  
[www.elgisauer.com](http://www.elgisauer.com)

**Sauer Compressors China Ltd.**  
China Merchants Shanghai Center 4th Floor  
68 BoHang Road  
Shanghai 200120  
China  
[www.sauercompressors.com](http://www.sauercompressors.com)

**Sauer Compressors Singapore**  
421 Tagore Industrial Avenue  
#01 – 15/16, Tagore 8  
787805  
Singapore  
[www.sauercompressors.com](http://www.sauercompressors.com)